



AIR PREPARATION UNITS

FILTER WITH INTERNAL AUTODRAIN - Series F1A-N1

Cat No F1AN - 01 - 01 - B

AIR FILTER INTERNAL AUTODRAIN WITH SERVICE INDICATOR - 3/8"

Features

- Suitable for Modular mounting
- Steel bowl guard, bayonet type
- Internal Autodrain - Float type, no electrical connections required
 - Provided with manual drain
 - Provision for drain tube connection, to take the condensate away from the unit, to keep the working area clean
- Bronze filtering element
- Separator and shield for efficient moisture separation
- Service indicator turns from green to red when filter element needs to be replaced ($\Delta p > 1$ bar)



Technical Specifications

Model	F14.....AN1	
Medium	Compressed air	
Port size	G3/8	
Flow rate @	lts/min	2250
Operating pressure	bar	2 to 10
Medium temperature	C	+5° to +50°
Ambient temperature	C	+5° to +50°
Filteration #	µm	1, 5, 25, 40 (standard), 50, 100
Bowl capacity (at maximum condensate level)	ml	35
Bowl material	Polycarbonate	
Installation	Vertical (as in the picture)	
Materials of construction	Aluminium, Bronze, Steel, Acetal, Polycarbonate, SS, Nitrile	
Optional accessories *	Clamp, Modular mounting kit, Pressure gauge	
Weight	Kg	0.51

® Supply pressure 6 bar, pressure drop $\Delta p = 0.3$ bar (For standard models)

For details see " How to order ".

* For details refer Optional accessories Cat No APA - 01 - C

Precautions

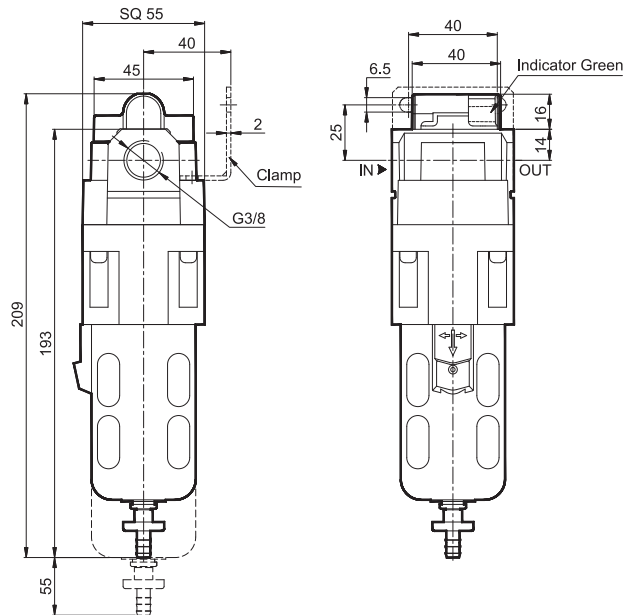
1. Note the direction of flow before installation and connect piping accordingly.
2. Flush pipings for dirt, dust, rust and other foreign particles.
3. Install in clean atmosphere.
4. Nipples of taper threads (R) to be used with teflon tape. Ensure teflon tape does not enter the unit during tightening. Nipples of straight threads (G) to be used with sealing washer.
5. Polycarbonate bowls may get damaged and possibly fail if exposed to synthetic oils, thinner, solvents, trichloroethylene, kerosene or other aromatic hydrocarbons.

AIR PREPARATION UNITS

FILTER WITH INTERNAL AUTODRAIN - Series F1A-N1

Cat No F1AN - 01 - 01 - B

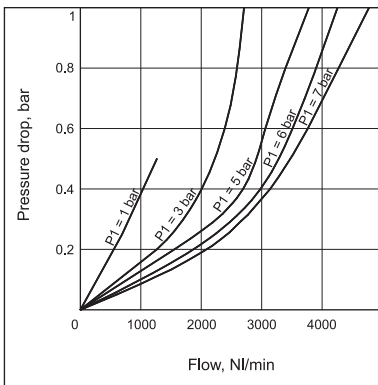
Model F14...-AN1



For Details of Clamp see optional accessories Cat No APA - 01 - C

Flow Graphs

3/8" FILTER



Flow graphs are for 40µm filtrations only.

How to order

F1	462	3	—	A	N1
Body & Port size		Filteration in µm		Internal Autodrain	Service Indicator
462	G3/8	0 - 1			N1 Indicator type
		1 - 5			
		2 - 25			
		3 - 40 (Standard)			
		4 - 50			
		5 - 100			

Ordering example: Filter - 3/8 size (with G 3/8 port) with a 50µm Filter with Internal Autodrain with indicator type:
Ordering No: **F14624-AN1**

If ordered as 3/8 Filter with Internal Autodrain with indicator type, our standard model **F14623-AN1**, with a 40µm Filter with Internal Autodrain will be supplied.

Subject to change